

# FEATHER WEIGHT

**The Salon Seat and The ARAC Seat**



## **The Salon Seat**

*Elegant seating at an affordable price.*



## **The ARAC Seat**

*Perfect for any type of shuttle bus!*

Not Just Seats



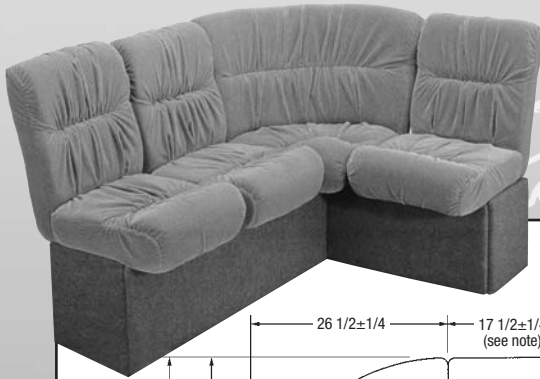
THE FEATHER WEIGHT SERIES BY

**FREEDMAN**  
SEATING COMPANY

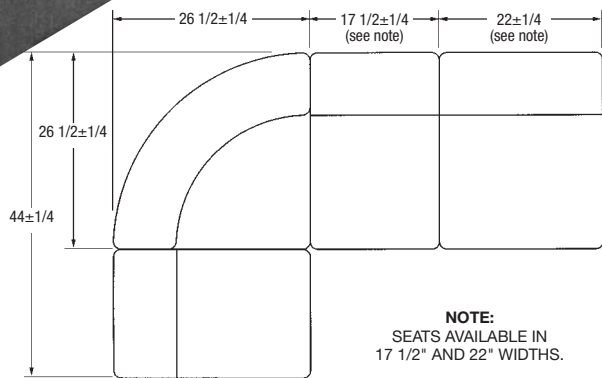
Seating Solutions™

# FEATHER

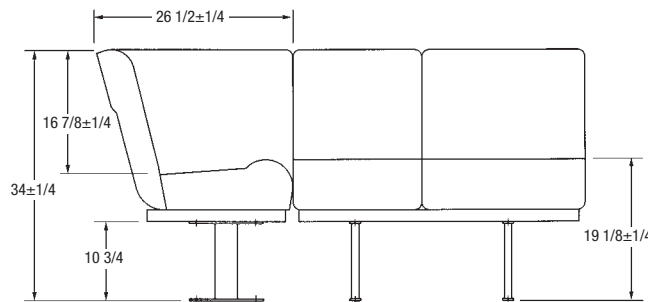
# WEIGHT



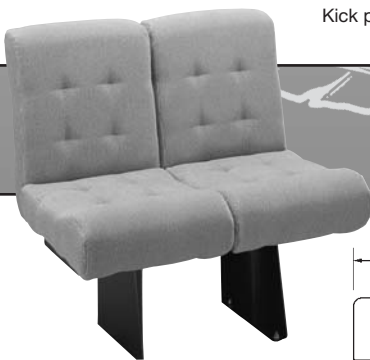
**The Salon Seat**



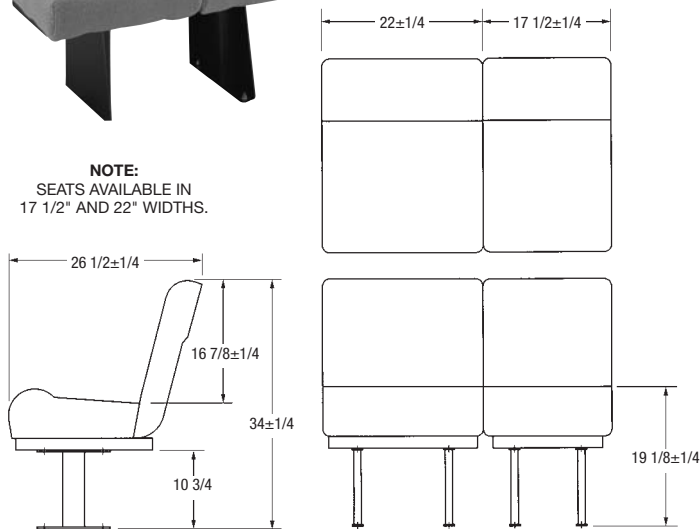
**NOTE:**  
SEATS AVAILABLE IN  
17 1/2" AND 22" WIDTHS.



Kick panels not included



**The ARAC Seat**



**NOTE:**  
SEATS AVAILABLE IN  
17 1/2" AND 22" WIDTHS.

**The Salon Seat-**For that first class look, go with the Salon Seat. No short cuts were taken to create this seat; the Salon Seat provides style, comfort and versatility all at an affordable price.

**Standard features:**

- Pleated covers
- High quality polyurethane foam
- 17½" and 22" wide seats
- Corner sections
- 1" steel tube frames
- Flex-o-lator seat springs

**Options:**

- Doheny molded armrest
- A wide variety of cloths and vinyls

**The ARAC Seat-**Designed for airports, colleges, hotels, parking lots, and more—the ARAC Seat gives passengers the comfort they want while providing operators with the capacity they need.

**Standard features:**

- High quality polyurethane foam
- Attractive upholstery pulldowns
- 17½" and 22" wide seats
- 1" steel tube frames
- Flex-o-lator seat springs

**Options:**

- Doheny molded armrest
- A wide variety of cloths and vinyls

Not Just Seats



Seating Solutions™

THE FEATHER WEIGHT SERIES BY

**FREEDMAN**  
SEATING COMPANY

4545 W. Augusta Blvd., Chicago, IL 60651  
(773) 524-2440 (800) 443-4540 Fax: (773) 252-7450  
WWW.FREEDMANSEATING.COM  
e-mail: sales@freedmanseat.com

We are constantly updating and improving our seats; therefore we reserve the right to change or modify specifications or materials without notice. All Freedman Seating Company seats meet or exceed FMVS standards.