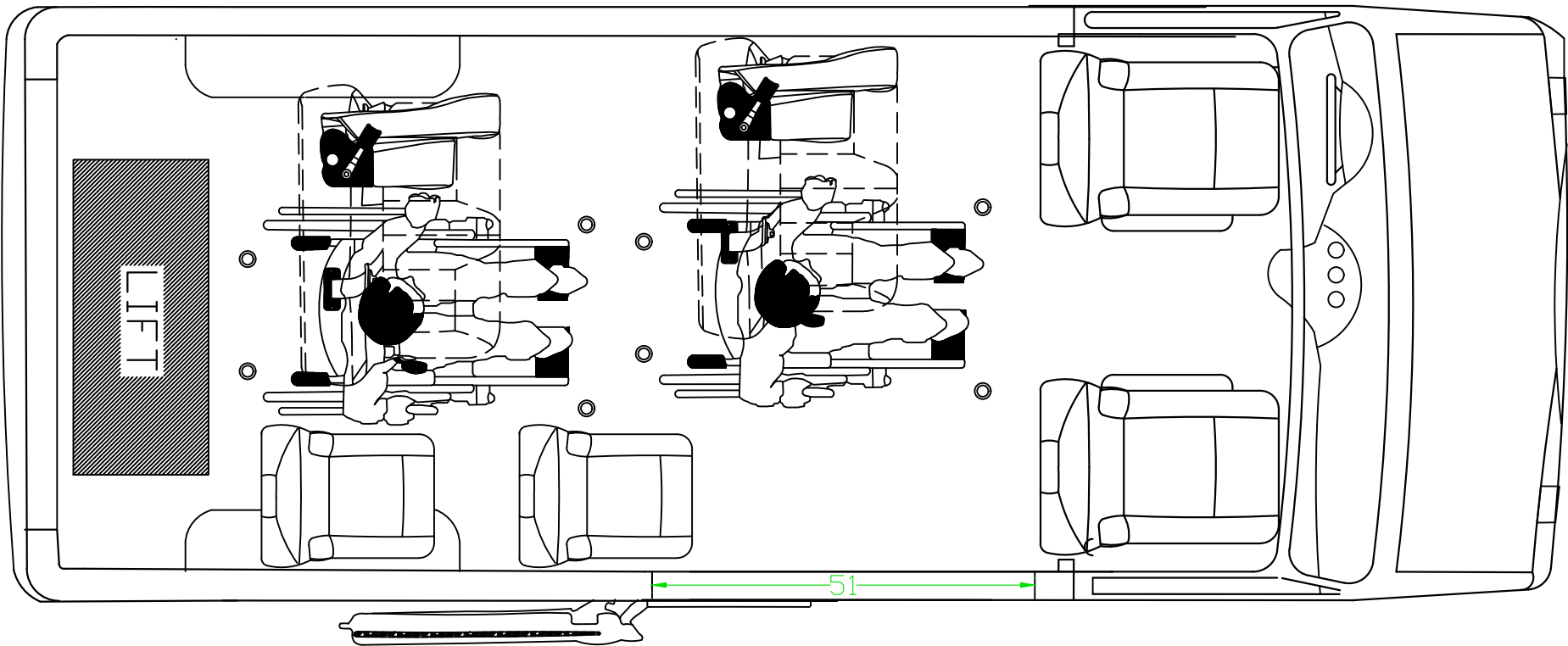


# PRIME TIME SV FLOOR PLAN

FORD TRANSIT 350 148" MTR-28-2-A



**NOTE: DIMENSIONS MAY NOT BE ACCURATE  
THIS DRAWING IS FOR ILLUSTRATION PURPOSES ONLY.**

THIS DRAWING AND THE INFORMATION CONTAINED THEREON ARE THE EXCLUSIVE PROPERTY OF PRIME TIME SV. IT SHALL NOT BE COPIED OR DUPLICATED IN ANY MANNER, NOR SHALL IT BE SUBMITTED TO OUTSIDE PARTIES FOR EXAMINATION WITHOUT OUR WRITTEN CONSENT. IT IS LOANED FOR USE WITH REFERENCE TO WORK UNDER CONTRACT WITH, OR PROPOSALS SUBMITTED BY PRIME TIME SV.						TOL UNLESS OTHERWISE SPECIFIED	DATE	ASSY #	<b>PRIME TIME SV</b>	
						DIM.	12/16/2019			
							TOL.	CHKR	REL. DATE	
						0.00	±0.062"		SUPERCEDES	
					0.000	±0.031"		DRAFTSMAN	NAME	
								BRAD M.	FORD TRANSIT	
									SCALE	DWG NO.
									DISK NO.	SHEET
										OF

REV LET REVISIONS

BY CHK DATE ECN NO