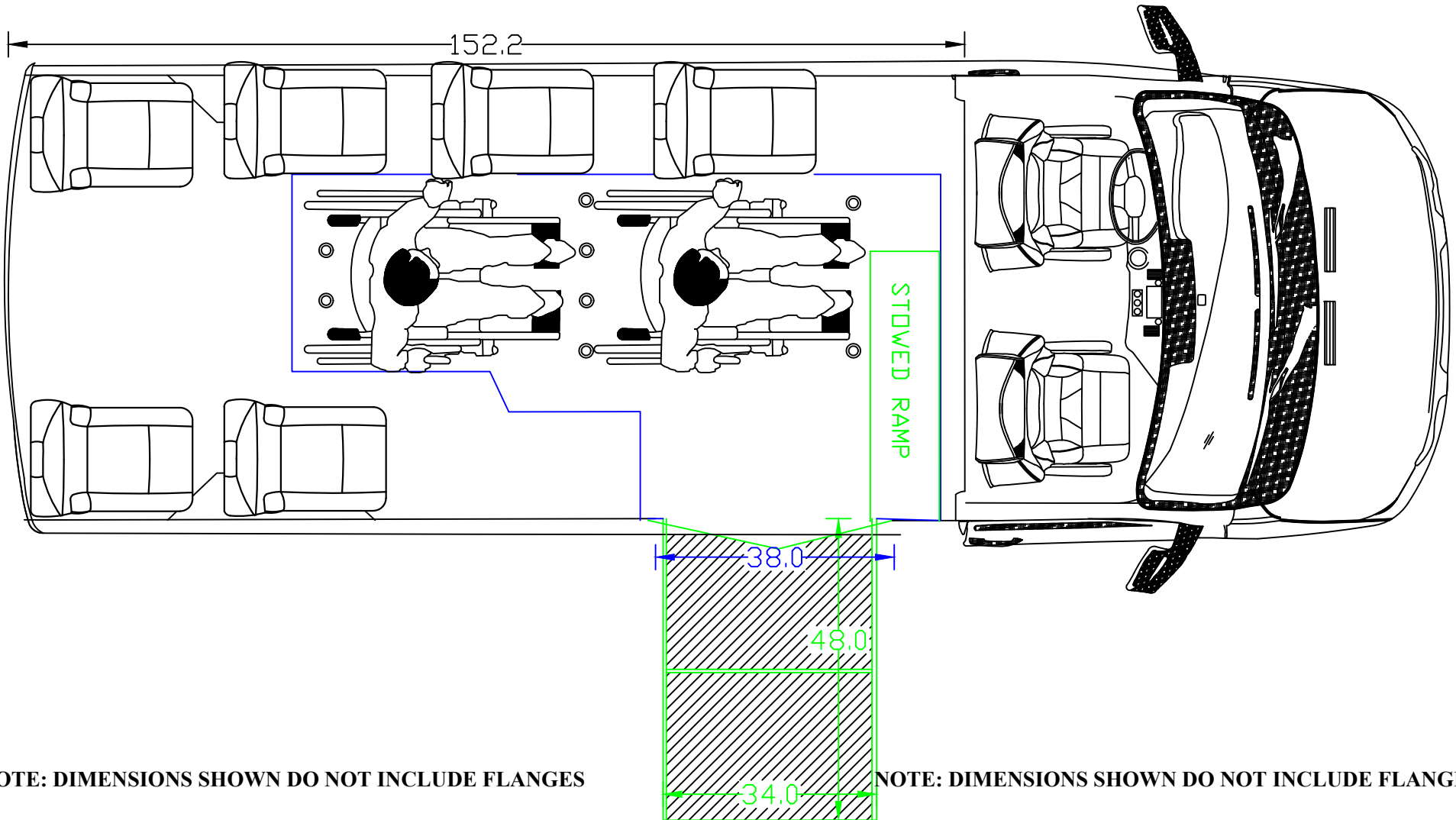


PRIME TIME SV FLOOR PLAN

RAM PROMASTER 3500 MT-1 MTS-308-2



NOTE: DIMENSIONS SHOWN DO NOT INCLUDE FLANGES

NOTE: DIMENSIONS SHOWN DO NOT INCLUDE FLANGES

THIS DRAWING AND THE INFORMATION CONTAINED THEREON ARE THE EXCLUSIVE PROPERTY OF PRIME TIME SV. IT SHALL NOT BE COPIED OR DUPLICATED IN ANY MANNER, NOR SHALL IT BE SUBMITTED TO OUTSIDE PARTIES FOR EXAMINATION WITHOUT OUR WRITTEN CONSENT. IT IS LOANED FOR USE WITH REFERENCE TO WORK UNDER CONTRACT WITH, OR PROPOSALS SUBMITTED BY PRIME TIME SV.

COLOR KEY

- BLUE = LOWERED FLOOR FRAME
- GREEN = CROSS MEMBERS (TBD)
- RED = DEPLOYED RAMP FRAME
- ORANGE = EXHAUST TUBING

DATE	ASSY #
3/1/2020	
CHKR	REL. DATE
SUPERCEDES	
DRAFTSMAN	
BRAD M.	

SCALE	DWG NO.
DISK NO.	SHEET OF