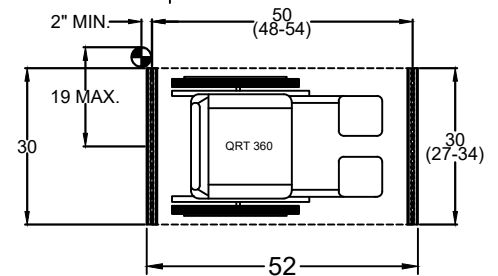
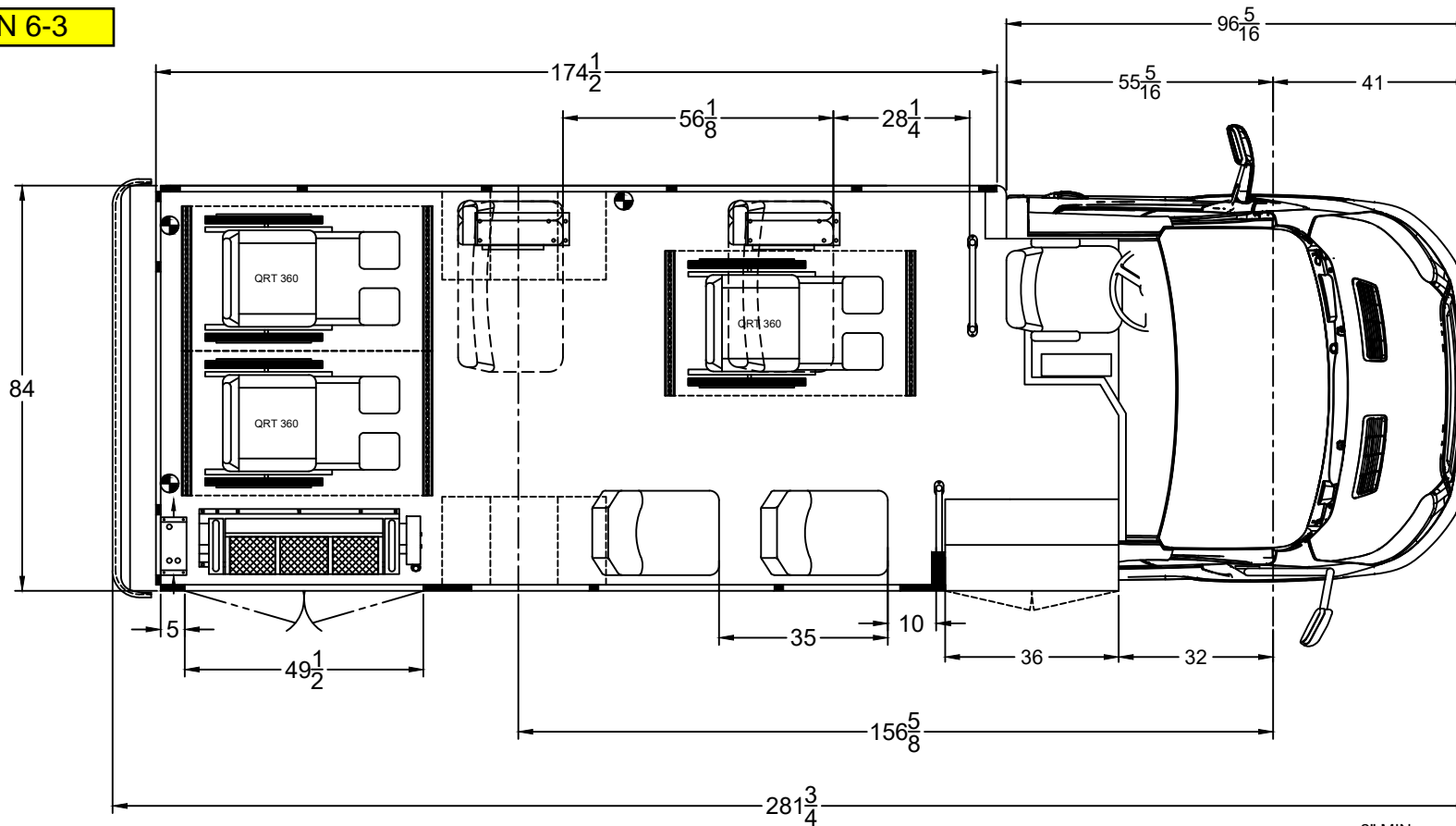


**LTN 6-3**



-RETRACTOR LOCATIONS

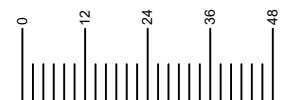
NOTE: SHOWN WITH MID HI FREEDMAN SEATS  
 FORD TRANSIT 10,360 GVWR  
 THIS FLOOR PLAN IS FOR ILLUSTRATION PURPOSES ONLY.  
 A WEIGHT ANALYSIS HAS NOT YET BEEN PERFORMED.  
 FINAL APPROVAL WITH A WEIGHT ANALYSIS IS REQUIRED UPON RECEIPT OF A  
 COMPLETED ORDER WITH ALL OPTIONS SHOWN.  
 OPTIONAL EQUIPMENT MAY BE SHOWN.  
 THE SALES ORDER PLACED DICTATES ACTUAL OPTION CONTENT.

**DEALER APPROVAL**

APPROVED

\_\_\_\_\_  
 CUSTOMER SIGNATURE

**SCALE  
 IN INCHES**



TOLERANCE UNLESS OTHERWISE SPECIFIED			TITLE: 2 3 W/C 156 WB 174 BDY MODEL 22 TRANSIT	
WOOD	OTHER		NAME: DH	DATE: 04/20/23
+ 1/8"	+ 1/16"	FOREST RIVER BUS	DWG. No. 2 3 WC 2 DB FOLDS 156 174-2 FRB	
+ 1"	+ 1/2"			

THIS DRAWING AND THE INFORMATION THEREON ARE THE EXCLUSIVE PROPERTY OF FOREST RIVER BUS, A DIVISION OF FOREST RIVER. IT SHALL NOT BE COPIED OR DUPLICATED IN ANY MANNER, NOR SHALL IT BE SUBMITTED TO OUTSIDE PARTIES FOR EXAMINATION WITHOUT OUR WRITTEN CONSENT. IT IS LOANED FOR USE WITH REFERENCE TO WORK UNDER CONTRACT WITH, OR PROPOSALS SUBMITTED TO FOREST RIVER BUS, A DIVISION OF FOREST RIVER.

REV. LET.	DESCRIPTION OF CHANGE	BY	CHK	DATE	ECN No.