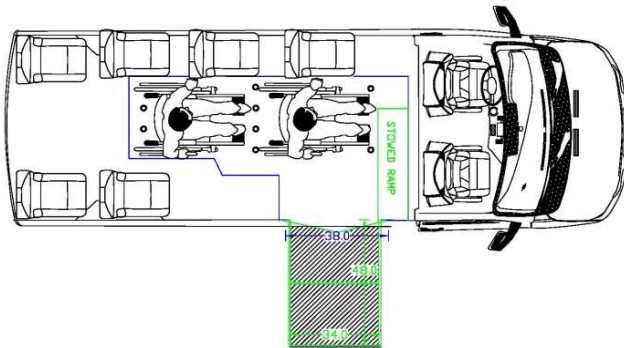


## ODOT AV - Low Floor ADDITIONAL OPTIONS ITEMS FOR PURCHASE



**Side Ramp - 6 Passenger and 2 Wheelchair**

### Popular Options / Full-Size Van Additions

- Upgraded Driver / Passenger Seat Material
- Chrome Wheel Inserts / Covers
- USB Ports (ea) (phone, computer, tablet charging)
- Heated Passenger Entrance Stepwell
- Work Light under hood in Engine Area
- Plexiglas partition behind driver
- Destination Signs - Transign, Luminator, Hanover
- Upgraded Flooring Colors of your Choice
- Additional grab/assistance handles
- Strobe Light roof mount
- Child Restraint System (CRS225 clips)
- Additional Floor & Wheelchair track/mounts
- Graphics Packages from Basic to Custom



If you are interested in purchasing additional options/items to be included with your ODOT vehicle purchase, please contact your BSI representative at:

877-696-2287 / [sales@buyabus.net](mailto:sales@buyabus.net)

<https://www.buyabus.net/252-24-odot-van-contract>