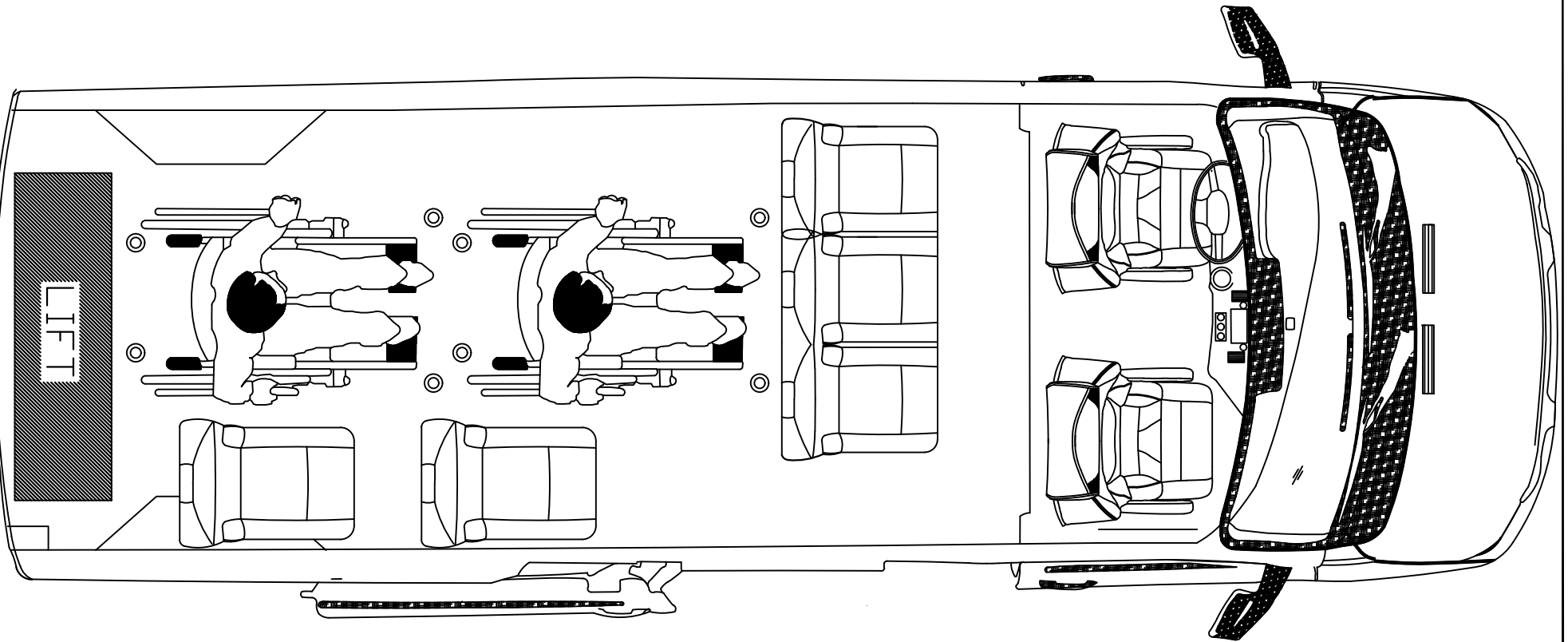


Sample Wheelchair Floorplan - contact dealer for seating options

PRIME TIME SV FLOOR PLAN

RAM PROMASTER 3500 MTR-37-2



**NOTE: DIMENSIONS MAY NOT BE ACCURATE
THIS DRAWING IS FOR ILLUSTRATION PURPOSES ONLY.**

THIS DRAWING AND THE INFORMATION CONTAINED THEREON ARE THE EXCLUSIVE PROPERTY OF PRIME TIME SV. IT SHALL NOT BE COPIED OR DUPLICATED IN ANY MANNER, NOR SHALL IT BE SUBMITTED TO OUTSIDE PARTIES FOR EXAMINATION WITHOUT OUR WRITTEN CONSENT. IT IS LOANED FOR USE WITH REFERENCE TO WORK UNDER CONTRACT WITH, OR PROPOSALS SUBMITTED BY PRIME TIME SV.								TOL UNLESS OTHERWISE SPECIFIED	DATE 12/15/14	ASSY #	PRIME TIME SV		
								DIM.	TOL.	CHKR		REL. DATE	
								0.00	± 0.062"		SUPERCEDES	NAME RAM PROMASTER	
								0.000	± 0.031"	DRAFTSMAN BRAD M.		SCALE	DWG NO.
REV LET	REVISIONS				BY	CHK	DATE	ECN NO			DISK NO.	SHEET	OF